

**LED Spot Light**

**Model No: LE024W • LE062W • LE063W • LE064W**

**Features**

- ⊙ 1W high power LED x 12 pcs
- ⊙ Low power consumption
- ⊙ Long life time
- ⊙ Input voltage: 12/24/48V/12~24V DC optional
- ⊙ Color temperature:5000~6300K
- ⊙ IP65 equivalent

**Applications**

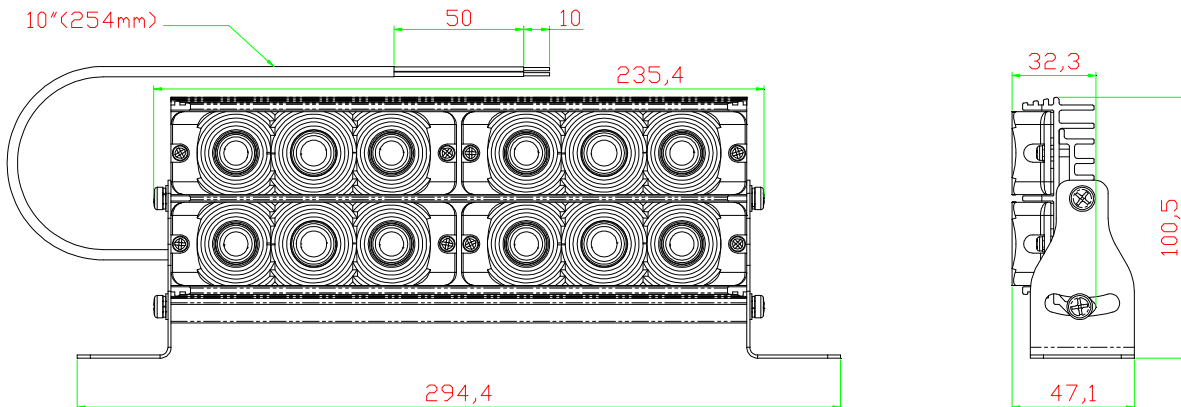
For most demanding environment, such as construction, agricultural, garage, material handling, off road equipment and the other many Indoor/Outdoor applications



**Product Structure** (Dimension: 235.4(L)x100.5(W)x32.3(H), Unit: mm)

Main Components	Materials	Color
Lens	PC	Clear
Housing	Aluminum	Silver
LED	1W LED x 12pcs	White

**Drawing Dimension**



**Specification**

Description	Symbol	Value				Unit
		LE024W	LE062W	LE063W	LE064W	
Voltage Input	$V_{IN}$	12	24	48	12~24	V DC
Current Input	$I_{IN}$	1400	700	320	600~ 1500	mA
Power Consumption	$P_D$	16.8		15.5	14~18	W
Operating Temperature	$T_{ope}$	-20 ~ +50				°C
Storage Temperature	$T_{sto}$	-30 ~ +70				°C

**Illumination**

Description	Symbol	Typical	Unit
Luminous Flux	F	720	lm